

Clear Water Solenoid Valve - Male thread

CWS 8 - made in Holland



This Solenoid valves serie is High Quality. This NC valve, single type is an indirect acting electromagnetic valve. Unique industrial shape with the "low water hammer construction" makes this valve unique for clear water installations. Used materials and checks ensure maximal reliability and lifetime.

Quick mounting on fitting and mounting with DIN-rail clips are very unique.

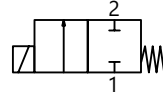
Economical, faster installation and therefore cheaper.

Design your own valve, send your inquiry.



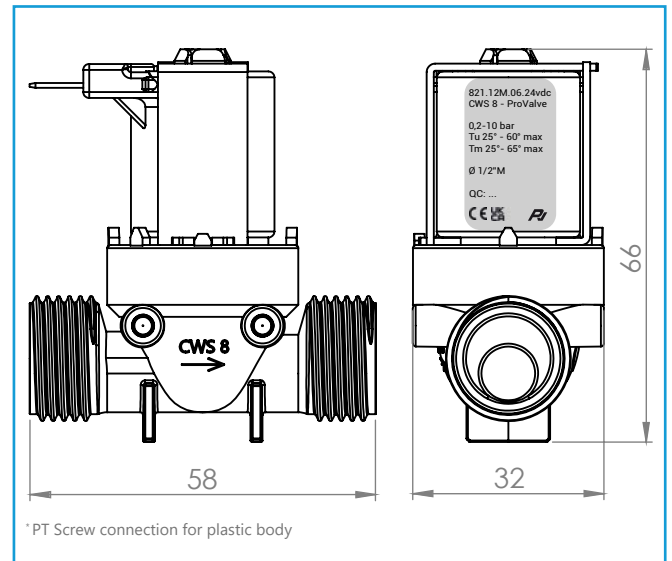
Anti water hammering cert. EN 60730-2-8

Par. 18.101.3.3



Specifications

Operating Range	0,2 ~ 10 bar	
Temp. medium ambient	90°C 3/5min	60°C max.
	25°C 100%	60°C max.
Coil (faston) Class F 155°C IP00	12Vdc 7W	
	24Vdc 8W	
	24Vac 3,2W	
	230Vac 6VA	
Function	Normally closed (NC)	
Orifice Flow indication	9 mm 5 - 8 L/min	
Optional	Flow regulator art. nr. MR05	



Code (without coil)	Connection	Max. Torque*	Body ISO 1043	Seal	Model no.
821.12M.06	G1/2" BSP Male	3.0Nm	PA66-GF30 (Food)	EPDM (Food)	12M

* Use only BSP.P threath with flat seal

Technical data



12Vdc | 7W



24Vdc | 8W



24Vac | 3.2W



230Vac | 6VA

Fast mounting system:



Unique DIN rail mounting bracket

Only use PT Screw for plastic size: 3.5 x 8 mm

Certification materials:

RoHS and EC 1907/2006 (REACH)
ACS DGSNS 4 n° 2000-232
NSF STD-61
WRAS BS6920-1

UL listed product
DVGWW270
KTW guidelines

